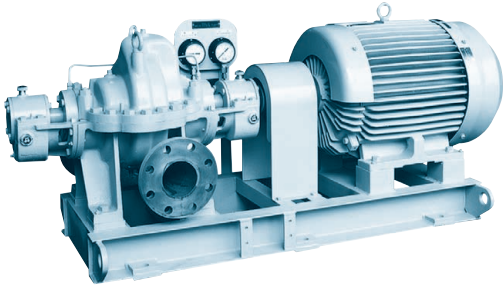


CENTRIFUGAL PUMP

2BF



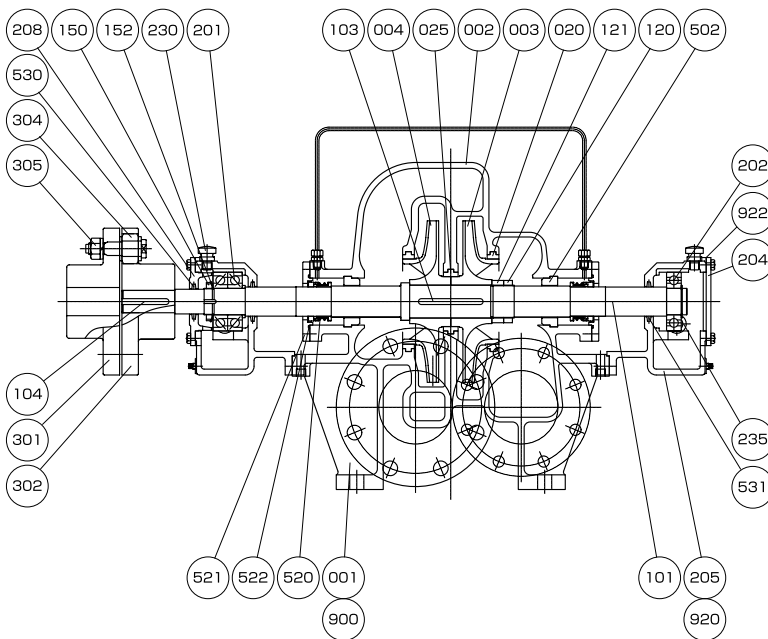
Application

Boiler Feedwater Pump

Feature

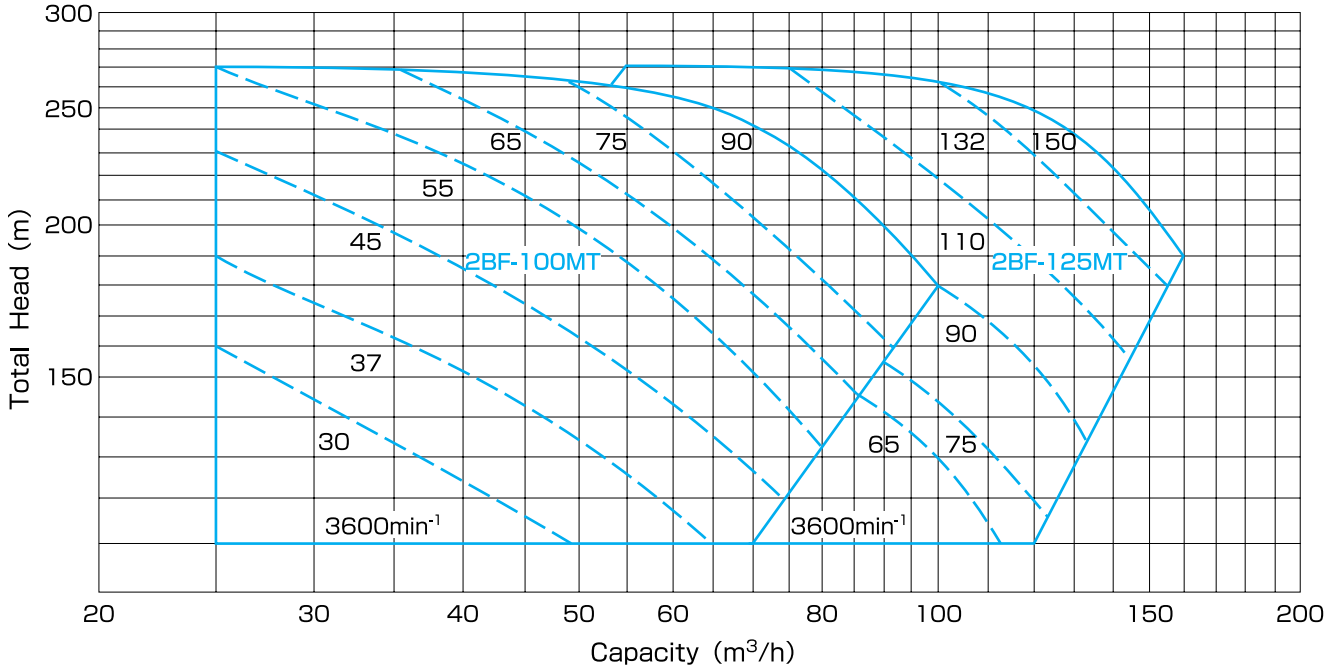
Horizontal Two-stage Single-suction

Structure & Material

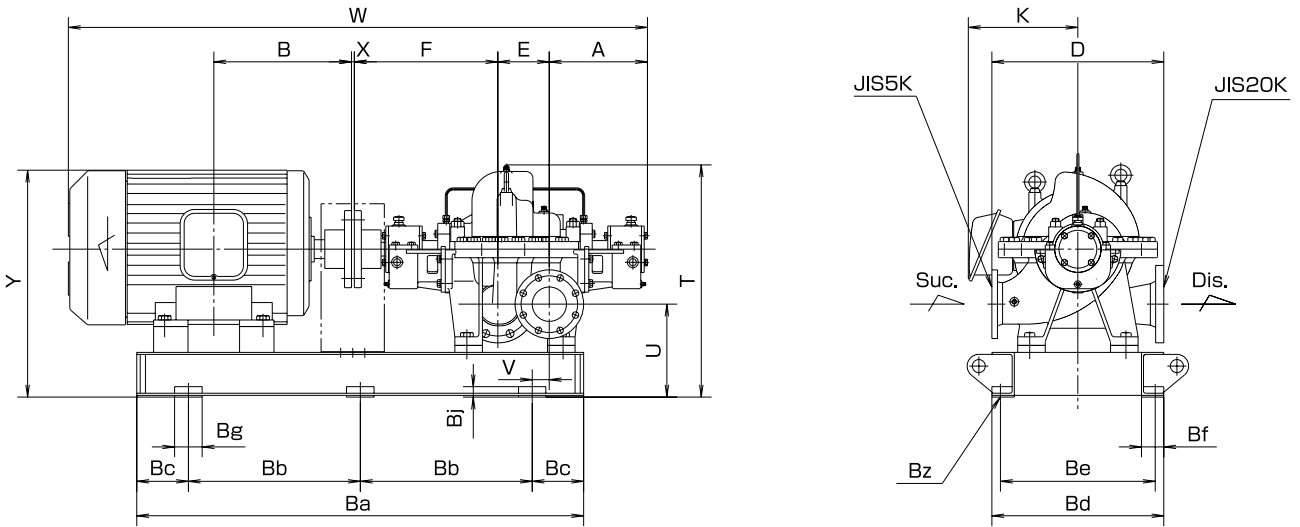


Part No.	Name	Req. No.	Feed Water		Part No.	Name	Req. No.	Feed Water	
			Material	JIS				Material	JIS
001	CASING	1	DUCTILE CAST IRON	FCD400	208	BEARING COVER	1	CAST IRON	FC200
002	CASING COVER	1	DUCTILE CAST IRON	FCD400	230	OIL PLUG	2	BRASS	C3602
003	IMPELLER	1	PHOSPHOR BRONZE	CAC502A	235	OIL LEVEL GAUGE	4	PLASTIC	—
004	IMPELLER	1	—	—	301	COUPLING	1	CAST IRON	FC200
020	CASING RING	2	BRONZE	CAC402	302	COUPLING	1	CAST IRON	FC200
025	STAGE RING	1	BRONZE	CAC402	304	COUPLING RING	8	RUBBER	NBR
101	SHAFT	1	STAINLESS STEEL	SUS403	305	COUPLING BOLT & NUT	8	MILD STEEL	SS400
103	KEY	1	STAINLESS STEEL	SUS304	502	NECK BUSH	2	BRONZE	CAC402
104	KEY	1	CARBON STEEL	S45C	520	MECHANICAL SEAL	2	SIC & CARBON	—
120	IMPELLER NUT	1	STAINLESS STEEL	SUS304	521	MECH. SEAL COVER	2	STAINLESS STEEL	SUS304
121	IMPELLER NUT	1	STAINLESS STEEL	SUS304	522	O-RING	2	RUBBER	NBR
150	BEARING NUT	1	MILD STEEL	SS400	530	OIL SEAL	1	FELT	—
152	BEARING WASHER	1	MILD STEEL	SS400	531	OIL SEAL	2	FELT	—
201	BEARING	2	BEARING STEEL	SUJ2	900	GASKET	1	PAPER	—
202	BEARING	1	BEARING STEEL	SUJ2	920	GASKET	2	PAPER	—
204	BEARING COVER	1	CAST IRON	FC200	922	GASKET	2	PAPER	—
205	BEARING HOUSING	2	CAST IRON	FC200					

Performance



Dimension



Model No.	Motor		Bore		Dimension (mm)																				
	kW	min ⁻¹	Suc.	Dis.	A	B	D	E	F	K	T	U	V	W	X	Y	Ba	Bb	Bc	Bd	Be	Bf	Bg	Bj	Bz
2BF-100MT	30	3600	100	100	286	370.5	500	150	420	330	675	270	50	1560	3	690	1300	500	150	500	450	65	80	30	6-φ24
	37					395.5				345				1610		705									
	45					402				365				1637		725									
	55					402				365				1637		725									
	65					452.5				405				1810		965									
	75					452.5				405				1810		965									
2BF-125MT	65	3600	125	125	345	560	180	500	405	725	285	50	1979	4	1000	1500	600	150	650	600	65	80	30	6-φ24	
	75												452.5		2089										1035
	90												509.5		2169										1035
	110												509.5		2169										1035
	132												554.5		2269										1060
	150												554.5		2269										1060