

ACCESSORIES

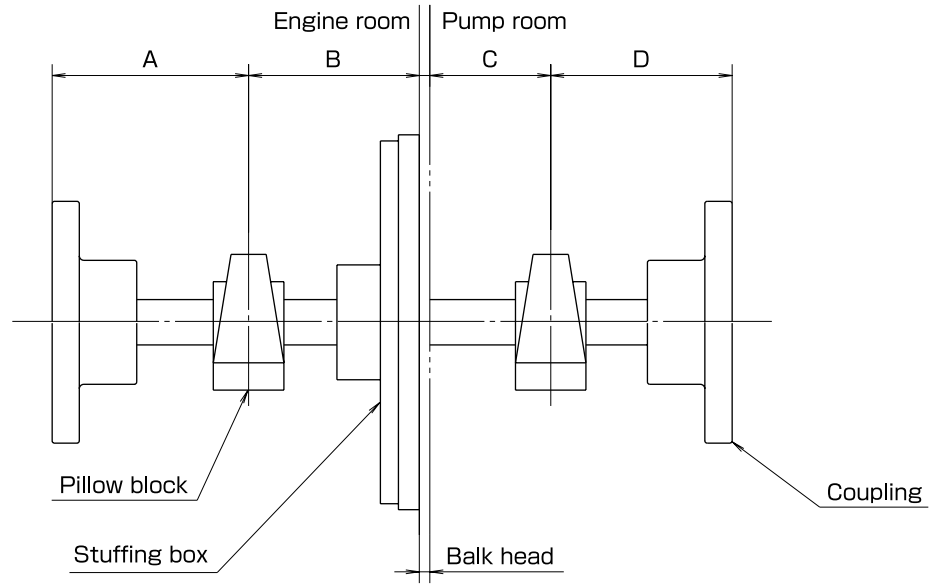
INTERMEDIATE SHAFT

STUFFING BOX

PRIMING UNIT

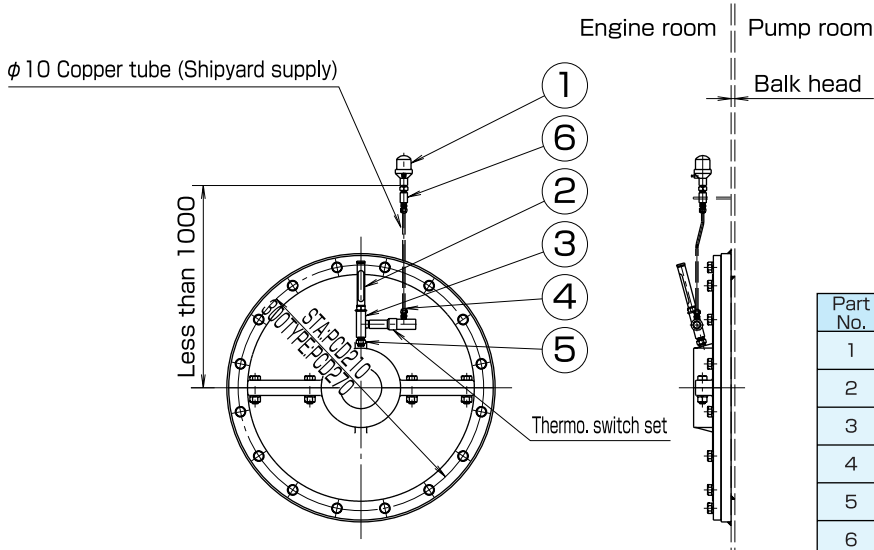
12-5

Dimension



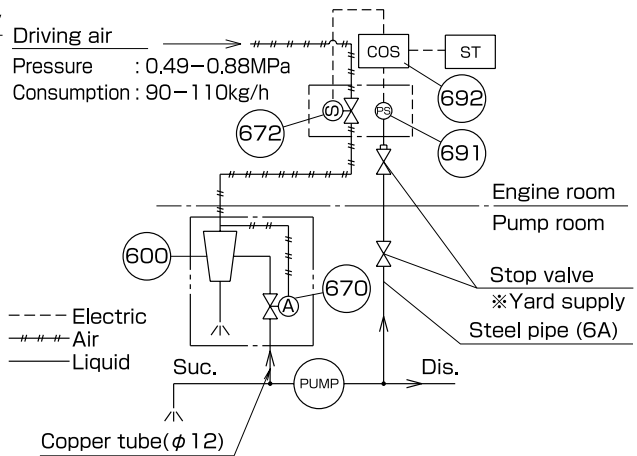
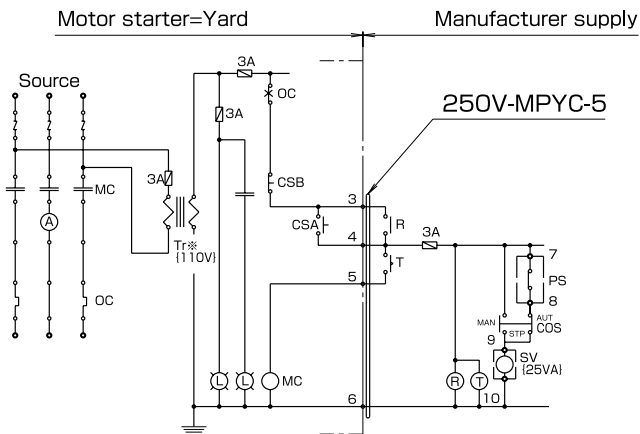
Motor (kW) 4P	Shaft Dia.	Stuffing Box	Pillow Block	Coupling Size	Dimension (mm)			
					A	B	C	D
1.5 to 3.7	φ25	A250C-φ25G	UKP206+H2306	A-125	100	150	80	120
5.5 to 7.5	φ30	A250C-φ30G	UKP207+H2307	A-140	100	150	80	120
11 to 15	φ35	A300C-φ35G	UKP208+H2308	A-160	120	150	80	120
18.5 to 30	φ40	A300C-φ40G	UKP209+H2309	A-180	140	150	80	140
37 to 45	φ45	A300C-φ45G	UKP210+H2310	A-200	140	150	80	140

Structure & Material



Part No.	Name	Req. No.	Material	JIS
1	GREASE CUP	1	-	-
2	THERMOMETER (WITH COVER)	1	-	-
3	TEE	1	CARBON STEEL	S25C
4	RING JOINT	2	BRONZE	CAC402
5	NIPPLE	1	IRON CASTING	FCMB
6	SOCKET	1	IRON CASTING	FCMB

Wiring Diagram & Piping Diagram



Operation

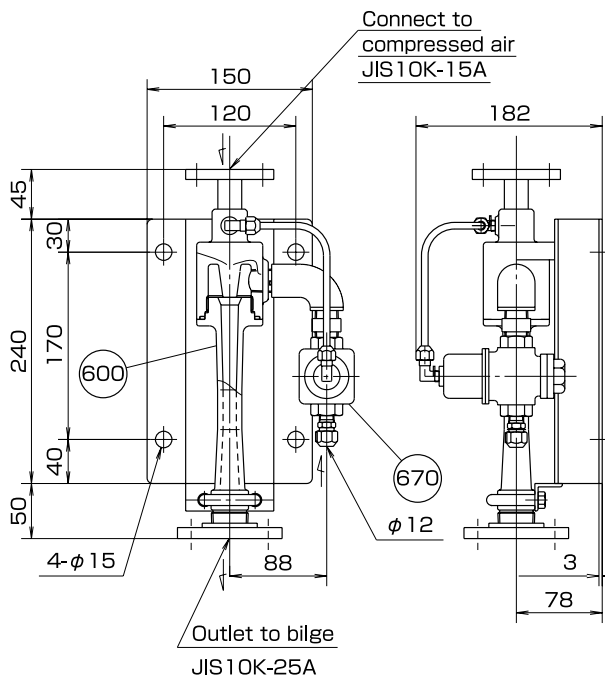
This self-priming system fitted with an air ejector is equipped with a built-in timer, Timer. The timer can be adjusted within a range from 0 to 180 sec. depending on the capacity of the suction pipe. When the Centrifugal Pump is switched on, only the timer starts, but the pump does not start until the preset time within Timer has elapsed. The pressure switch stops the ejector when the pump pressure rises to a specified level.

作動

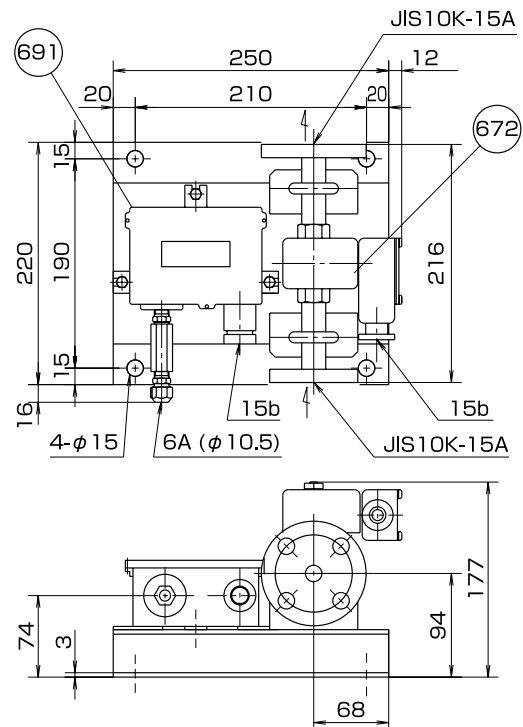
エジェクタ式自動抽気装置にはタイマが内蔵されています。このタイマは吸込管容積によって0~180秒の範囲で調整出来ます。遠心ポンプがスイッチONされると、タイマが作動を開始します。しかしこのポンプはタイマがタイムアウトする迄は起動しません。ポンプの圧力が上昇した時圧力スイッチによってエジェクタの作動を停止させます。

Structure & Material

Ejector Unit



Solenoid Valve-pressure Sw. Unit



Part No.	Name	Req. No.	Material	JIS
600	EJECTOR UNIT	1	BRONZE	CAC402
670	AIR VALVE	1	BRONZE	CAC406
672	SOLENOID VALVE	1	BRONZE	CAC406

Part No.	Name	Req. No.	Material	JIS
691	PRESSURE SWITCH	1	-	-
692	TERMINAL BOX	1	-	-