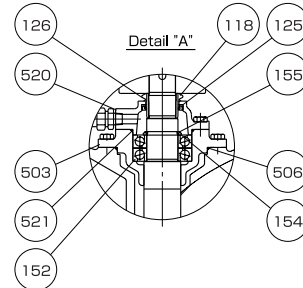
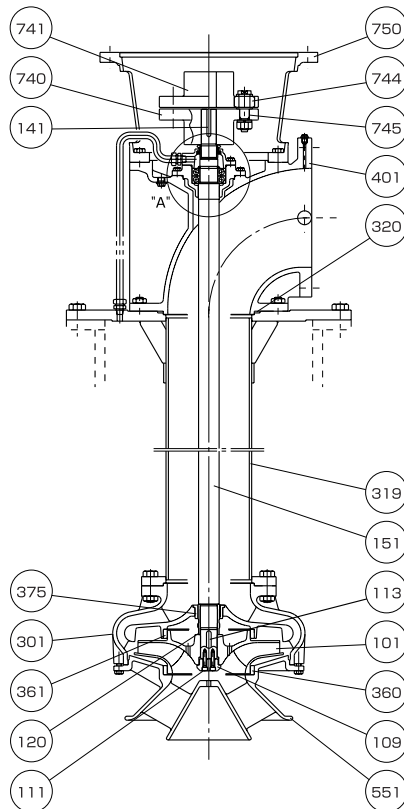


CENTRIFUGAL PUMP

C1T · C2T



Application

Lubricating Oil Pump

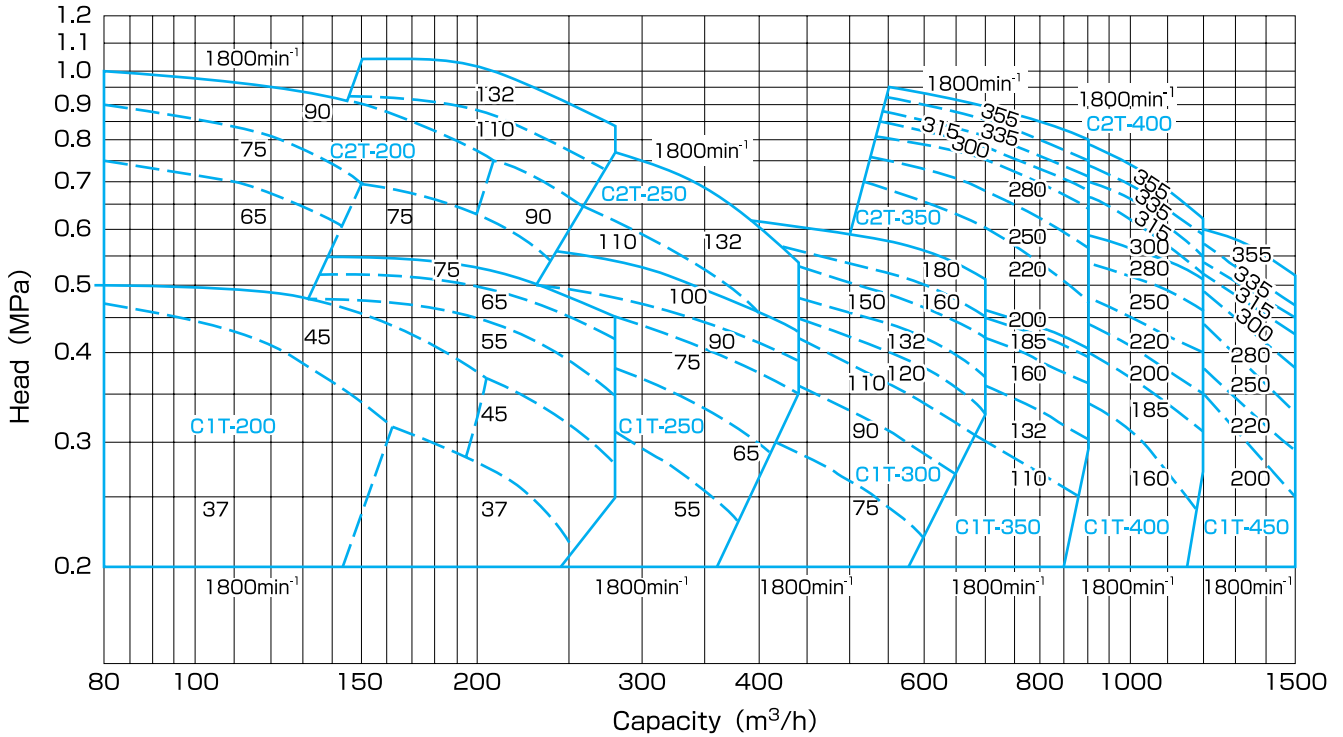
Feature

Vertical Tank-mounted Type

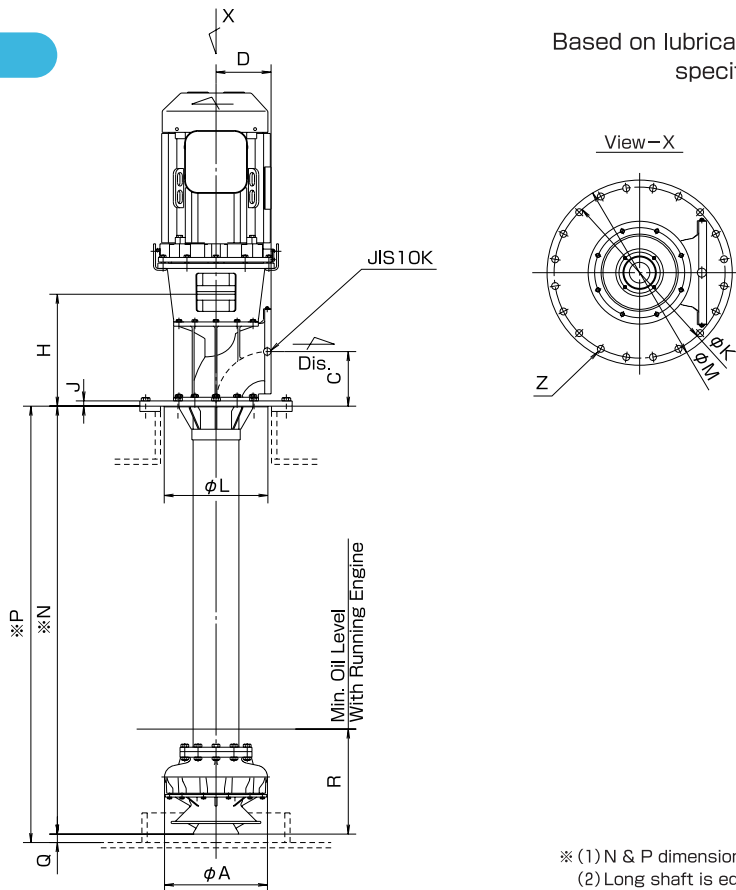
Structure & Material

Part No.	Name	Req. No.	Lubricating Oil		Part No.	Name	Req. No.	Sea Water	
			Material	JIS				Material	JIS
101	IMPELLER	1	PHOSPHOR BRONZE	CAC502A	320	O-RING	1	RUBBER	NBR
109	HUB CAP	1	CARBON STEEL	S45C	360	CASING RING	1	BRONZE	CAC402
111	SCREW	2	Cr-Mo STEEL	SCM435	361	CASING RING	1	BRONZE	CAC402
113	KEY	1	CARBON STEEL	S45C	375	BEARING BUSH	1	BRONZE	CAC402
118	SLEEVE	1	STAINLESS STEEL	SUS420J2	401	DELIVERY BEND	1	CAST IRON	FC200
120	SLEEVE	1	STAINLESS STEEL	SUS420J2	503	BEARING HOUSING	1	CAST IRON	FC200
125	OIL SEAL	1	RUBBER	NBR	506	O-RING	1	RUBBER	NBR
126	V-RING	1	RUBBER	NBR	520	BEARING COVER	1	CAST IRON	FC200
141	KEY	1	CARBON STEEL	S45C	521	O-RING	1	RUBBER	NBR
151	SHAFT	1	CARBON STEEL	S45C	551	SUCTION COVER	1	CAST IRON	FC200
152	BALL BEARING	1SET	BEARING STEEL	SUJ2	740	COUPLING	1	CAST IRON	FC200
154	WASHER	1	MILD STEEL	SS400	741	COUPLING	1	CAST IRON	FC200
155	SNAP RING	1	CARBON TOOL STEEL	SK5	744	COUPLING RING	8	RUBBER	NBR
301	GUIDE VANE CASING	1	CAST IRON	FC200	745	COUPLING BOLT & NUT	8	MILD STEEL	SS400
319	COLUMN PIPE	1	CARBON STEEL PIPE	STPG370	750	MOTOR FRAME	1	CAST IRON	FC200

Performance



Dimension



Based on lubrication oil at 75 mm²/s,
specific gravity 0.9

※ (1) N & P dimensions are adjusted to Tank depth.
(2) Long shaft is equipped with intermediate bearing.

Model No.	Bore Dis.	Dimension (mm)												
		A	C	D	H	J	K	L	M	N	P	Q	R	Z
C1T-200	200	475	233	260	498	25	605	480	655	1710	1750	40	350	20-φ25
C1T-250	250	485	258	260	533	25	665	495	720	1620	1660	40	350	20-φ27
C1T-300	300	540	282	290	587	29	665	550	720	1775	1815	40	350	20-φ27
C1T-350	350	570	315	355	743	32	715	575	770	1965	2005	40	560	20-φ27
C1T-400	400	630	400	400	855	32	770	635	825	1940	1980	40	660	24-φ27
C1T-450	450	680	450	425	930	32	820	685	875	1930	1970	40	720	24-φ27
C2T-200	200	475	233	260	498	25	605	480	655	1950	1990	40	350	20-φ25
C2T-250	250	485	258	260	533	25	665	495	720	1820	1860	40	350	20-φ27
C2T-350	350	570	315	355	743	32	715	575	770	2340	2380	40	560	20-φ27
C2T-400	400	630	400	400	855	32	770	635	825	2400	2440	40	660	24-φ27