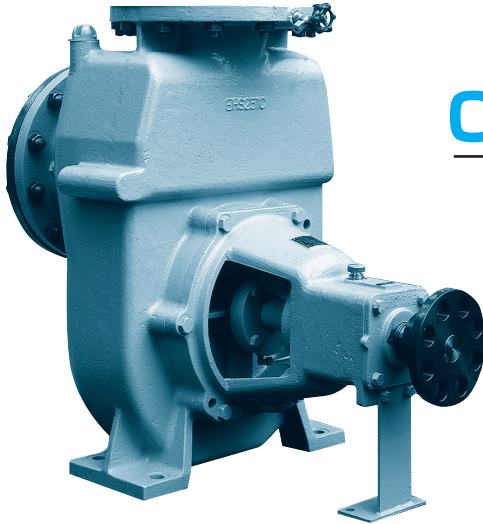


# CENTRIFUGAL PUMP

## EHS



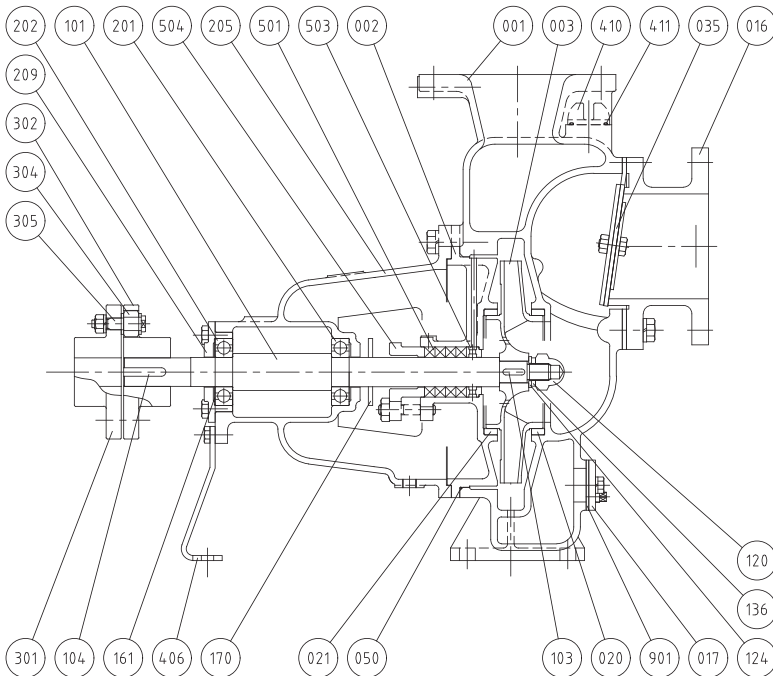
### Application

Ballast Pump  
Bilge Pump

### Feature

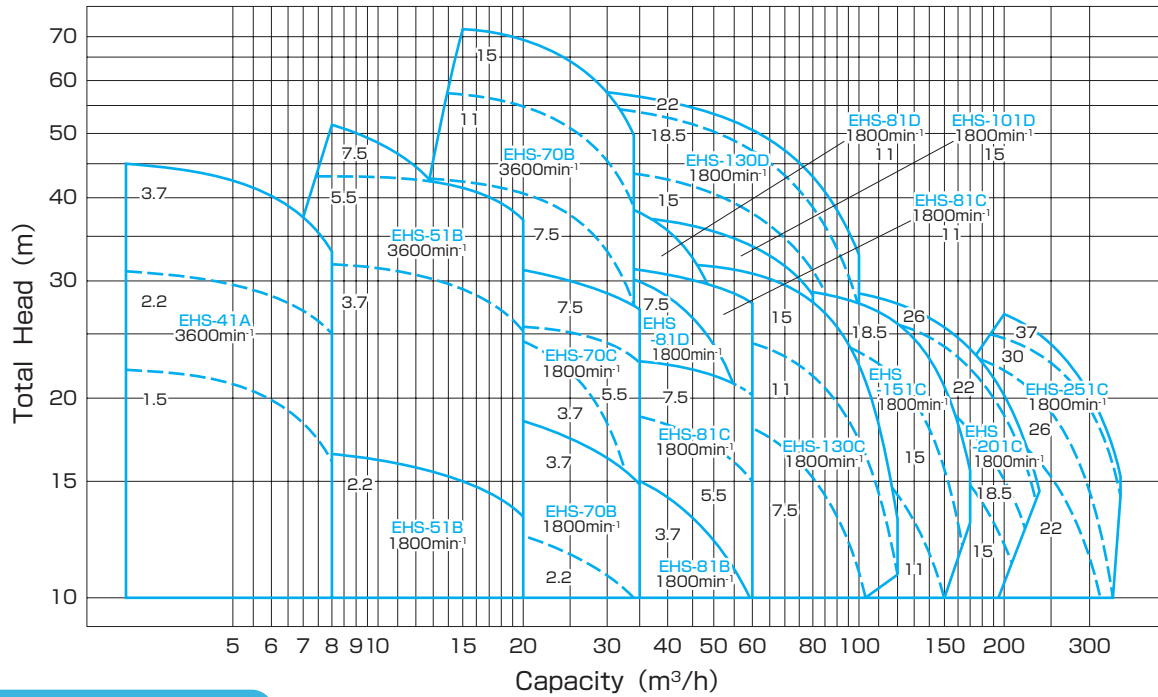
Horizontal Single-stage Single-suction Self Priming Type

### Structure & Material

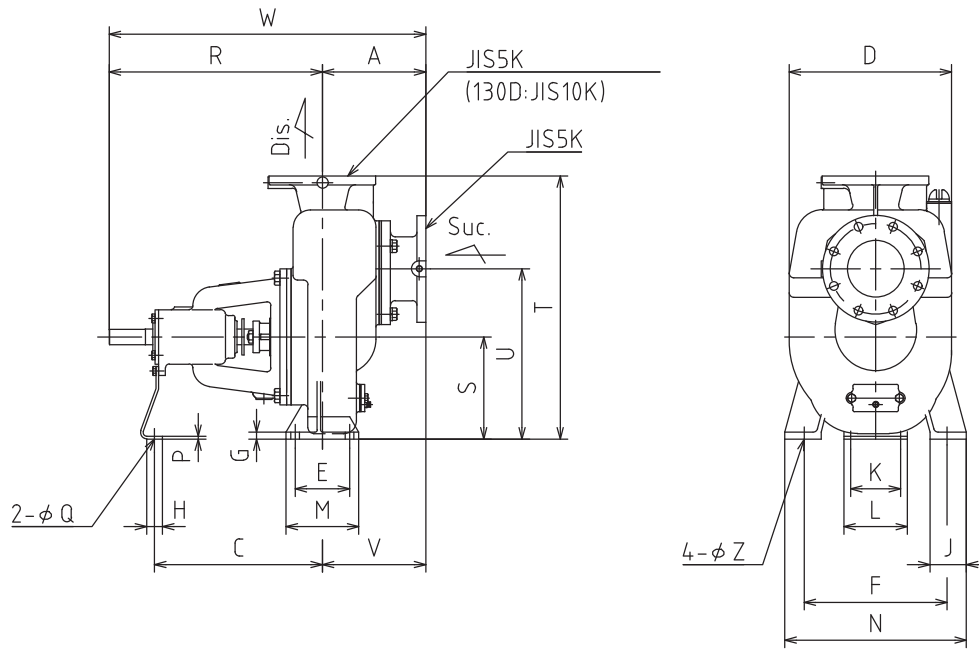


Part No.	Name	Req. No.	Sea Water		Fresh Water		Part No.	Name	Req. No.	Sea Water		Fresh Water	
			Material	JIS	Material	JIS				Material	JIS	Material	JIS
001	CASING	1	BRONZE	CAC402	CAST IRON	FC200	170	FLINGER	1	RUBBER	NBR	RUBBER	NBR
002	CASING COVER	1	BRONZE	CAC402	CAST IRON	FC200	201	BALL BEARING	1	BEARING STEEL	SUJ2	BEARING STEEL	SUJ2
003	IMPELLER	1	PHOSPHOR BRONZE	CAC502A	PHOSPHOR BRONZE	CAC502A	202	BALL BEARING	1	BEARING STEEL	SUJ2	BEARING STEEL	SUJ2
016	SUCTION COVER	1	BRONZE	CAC402	CAST IRON	FC200	205	BEARING HOUSING	1	CAST IRON	FC200	CAST IRON	FC200
017	DRAIN COVER	1	BRONZE	CAC402	CAST IRON	FC200	209	BEARING COVER	1	CAST IRON	FC200	CAST IRON	FC200
020	CASING RING	1	BRONZE	CAC402	BRONZE	CAC402	301	COUPLING	1	CAST IRON	FC200	CAST IRON	FC200
021	CASING RING	1	BRONZE	CAC402	BRONZE	CAC402	302	COUPLING	1	CAST IRON	FC200	CAST IRON	FC200
035	CHECK VALVE	1	RUBBER	NBR	RUBBER	NBR	304	COUPLING RING	8	RUBBER	NBR	RUBBER	NBR
050	O-RING	1	RUBBER	NBR	RUBBER	NBR	305	COUPLING BOLT & NUT	8	MILD STEEL	SS400	MILD STEEL	SS400
101	SHAFT	1	STAINLESS STEEL	SUS304	STAINLESS STEEL	SUS304	406	SUPPORT	1	MILD STEEL	SS400	MILD STEEL	SS400
103	KEY	1	STAINLESS STEEL	SUS304	STAINLESS STEEL	SUS304	410	PRIMING CAP	1	BRONZE	CAC402	BRONZE	CAC402
104	KEY	1	CARBON STEEL	S45C	CARBON STEEL	S45C	411	O-RING	1	RUBBER	NBR	RUBBER	NBR
120	IMPELLER NUT	1	STAINLESS STEEL	SUS304	STAINLESS STEEL	SUS304	501	GLAND PACKING	4	CARBONIZED FIBER	—	CARBONIZED FIBER	—
124	IMPELLER WASHER	1	STAINLESS STEEL	SUS304	STAINLESS STEEL	SUS304	503	LANTERN RING	1	BRONZE	CAC402	BRONZE	CAC402
136	SPRING WASHER	1	STAINLESS STEEL	SUS304	STAINLESS STEEL	SUS304	504	GLAND	1	BRONZE	CAC402	BRONZE	CAC402
161	RETAINING RING	1	SPRING STEEL	SUP6	SPRING STEEL	SUP6	901	GASKET	1	RUBBER	NBR	RUBBER	NBR

## Performance



## Dimension



Model No.	Bore		Dimension(mm)																				
	Suc.	Dis.	A	C	D	E	F	G	H	J	K	L	M	N	P	Q	R	S	T	U	V	W	Z
EHS-41A	40	40	150	285	195	70	190	12	35	50	110	140	100	240	4.5	15	355	132	332	232	145	505	15
EHS-51B	50	50	178	285	254	70	212	12	35	50	110	140	100	265	4.5	15	355	160	428	270	173	533	15
EHS-70B	65	65	188	285	262	70	212	12	35	50	110	140	100	265	4.5	15	355	160	428	270	183	543	15
EHS-70C	65	65	188	285	313	95	250	15	35	65	110	140	125	320	4.5	15	355	180	475	320	183	543	15
EHS-81B	80	80	230	285	276	95	250	15	35	65	110	140	125	320	4.5	15	365	180	475	290	235	595	15
EHS-81C	80	80	205	370	337	120	280	15	35	80	110	140	160	360	6	15	470	200	550	350	205	675	19
EHS-81D	80	80	215	370	384	120	315	15	35	80	110	140	160	400	6	15	470	225	600	400	215	685	19
EHS-101D	100	100	225	370	400	120	315	15	35	80	110	140	160	400	6	15	470	250	625	425	225	695	19
EHS-130C	125	125	225	370	358	120	315	15	35	80	110	140	160	400	6	15	470	225	580	375	225	695	19
EHS-130D	125	100	280	480	416	120	315	20	35	80	110	140	160	400	6	15	575	250	650	425	280	855	19
EHS-151C	150	150	285	370	353	120	315	20	35	80	110	140	160	400	6	15	470	225	600	400	285	755	19
EHS-201C	200	200	325	370	400	120	315	20	35	80	110	140	160	400	6	15	470	250	690	450	325	795	19
EHS-251C	250	250	343	370	500	150	400	25	70	100	110	140	200	500	6	15	530	280	810	510	343	873	24