



ATTACHED VACUUM PUMP

N・NVP

Application

These vacuum pumps are fitted to Bilge Pumps, Fire Pumps and Ballast Pumps.

用途

これら真空ポンプはビルジポンプ、消防ポンプ、バラストポンプ等に使用されます。

Feature

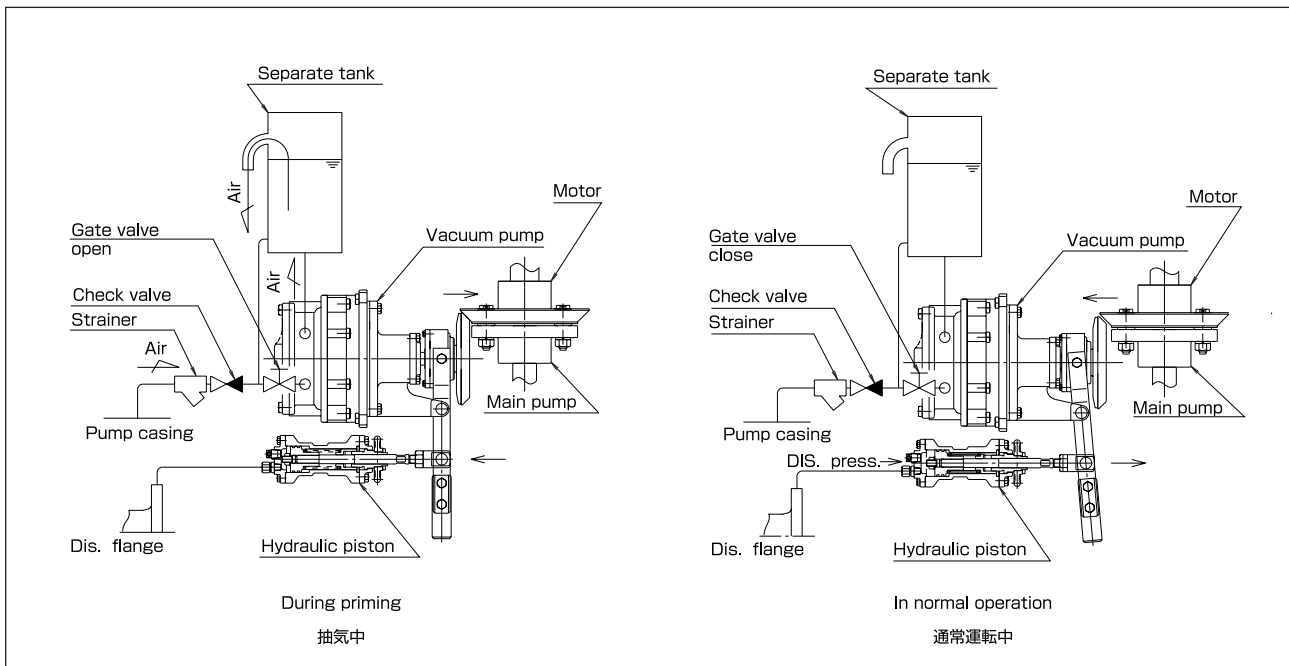
The N and NVP type pumps give the main pump they are attached to a self-priming ability, due to their function to eject air.

特長

N・NVPタイプは抽気装置としてポンプ本体に取り付け、自吸能力を持たせます。

Operation

運転



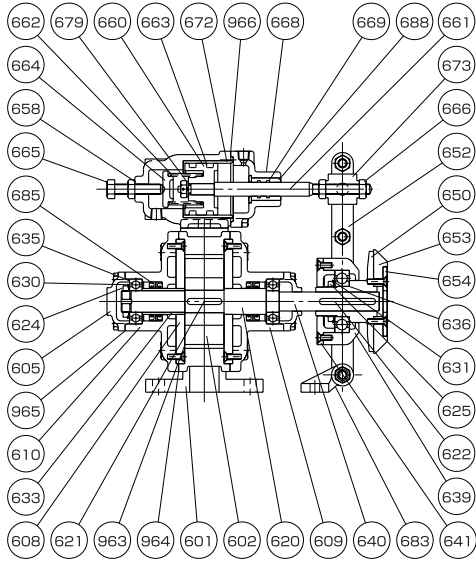
Specification

仕様

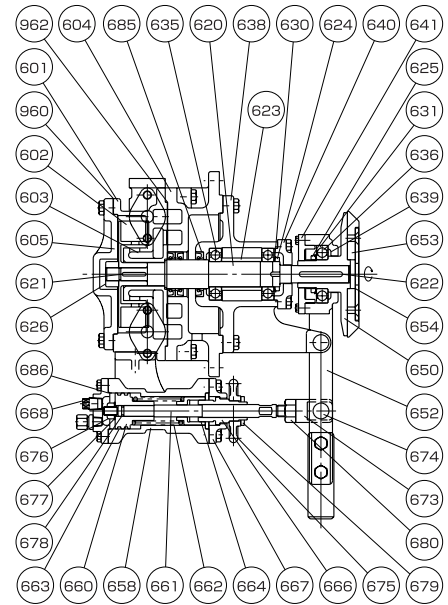
Model No.	Vacuum (MPa)	Capacity (L/min)	Power (kW×min ⁻¹)	Application
NVP-20	max. -0.08	250	2.2×3600	Horizontal Pump
N-20	-0.08	250	2.2×3600	Vertical Pump
N-20C	-0.08	250	2.2×3600	Vertical Pump
NVP-40	-0.08	400	3.7×1800	Horizontal Pump
N-40	-0.08	400	3.7×1800	Vertical Pump

Structure & Material

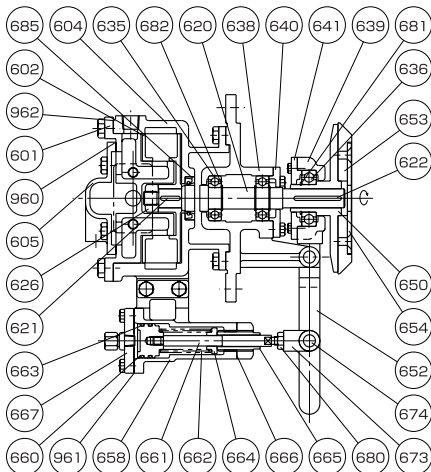
TYPE: NVP-20



TYPE: N-20



TYPE: N-20C



Part No.	Name	Req. No.	Material	JIS
601	CASING	1	BRONZE	CAC402
602	RUNNER	1	BRONZE	CAC402
603	LINER	1	LEAD BRONZE	CAC603
604	CASING COVER	1	BRONZE	CAC402
605	END COVER	1	BRONZE	CAC402
608	SIDE PLATE	2	BRONZE	CAC402
609	CASING COVER	1	BRONZE	CAC402
610	CASING COVER	1	BRONZE	CAC402
620	SHAFT	1	STAINLESS STEEL	SUS304
621	KEY	1	STAINLESS STEEL	SUS304
622	KEY	1	CARBON STEEL	S45C
623	DISTANCE COLLAR	1	MILD STEEL	SS400
624	BEARING NUT	1	MILD STEEL	SS400
625	BEARING NUT	1	MILD STEEL	SS400
626	RUNNER NUT	1	BRASS	C3601
630	BEARING WASHER	1	MILD STEEL	SS400
631	BEARING WASHER	1	MILD STEEL	SS400
633	SLEEVE	1	BRONZE	CAC402
635	BALL BEARING	2	BEARING STEEL	SUJ2
636	BALL BEARING	1	BEARING STEEL	SUJ2
638	BEARING HOUSING	1	CAST IRON	FC200

Part No.	Name	Req. No.	Material	JIS
639	BEARING HOUSING	1	CAST IRON	FC200
640	BEARING COVER	1	CAST IRON	FC200
641	BEARING COVER	1	CAST IRON	FC200
650	CLUTCH	1	CAST IRON	FC200
652	LEVER	1	MILD STEEL	SS400
653	FRICTION LINING	1	FIBER	-
654	END PLATE	1	MILD STEEL	SS400
658	CYLINDER	1	BRONZE	CAC402
660	PISTON	1	HIGH-TENSION BRASS	C6782
661	PISTON ROD	1	STAINLESS STEEL	SUS304
662	SPRING	1	STAINLESS STEEL	SUS304
663	O-RING	2	RUBBER	NBR
664	SPRING CARRIER	1	HIGH-TENSION BRASS	C6782
665	ADJUST BUSH	1	HIGH-TENSION BRASS	C6782
666	ADJUST NUT	1	HIGH-TENSION BRASS	C6782
667	CYLINDER COVER	1	BRONZE	CAC402
668	CYLINDER COVER	1	BRONZE	CAC402
669	O-RING	2	RUBBER	NBR
672	CYLINDER BUSH	1	BRONZE	CAC402
673	JOINT	1	MILD STEEL	SS400
674	JOINT	1	MILD STEEL	SS400

Part No.	Name	Req. No.	Material	JIS
675	HANDLE	1	CAST IRON	FC200
676	PISTON LOCK NUT	1	STAINLESS STEEL	SUS304
677	PISTON WASHER	1	STAINLESS STEEL	SUS304
678	O-RING	2	RUBBER	NBR
679	LOCK NUT	1	MILD STEEL	SS400
680	LOCK NUT	1	MILD STEEL	SS400
681	RETAINING RING	1	STAINLESS STEEL	SUS304
682	RETAINING RING	3	STAINLESS STEEL	SUS304
683	LEVER SEAT	1	CAST IRON	FC200
685	OIL SEAL	3	RUBBER	NBR
686	O-RING	1	RUBBER	NBR
688	PACKING RING	1	BRONZE	CAC402
960	GASKET	1	PAPER	-
961	GASKET	1	PAPER	-
962	GASKET	1	PAPER	-
963	GASKET	2	PAPER	-
964	GASKET	2	PAPER	-
965	GASKET	2	PAPER	-
966	GASKET	1	PAPER	-