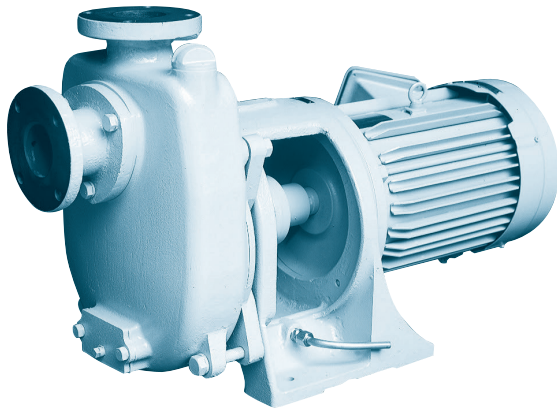


CENTRIFUGAL PUMP

TMS



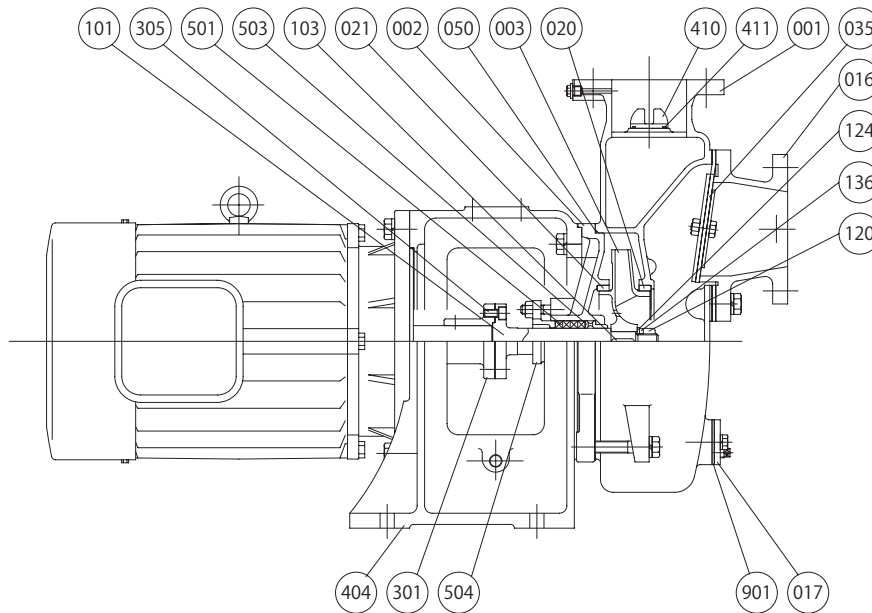
Application

- Fire & G.S. Pump
- Bilge & Ballast Pump
- Fresh Water Pump
- Sanitary Pump
- Drinking Water Pump

Feature

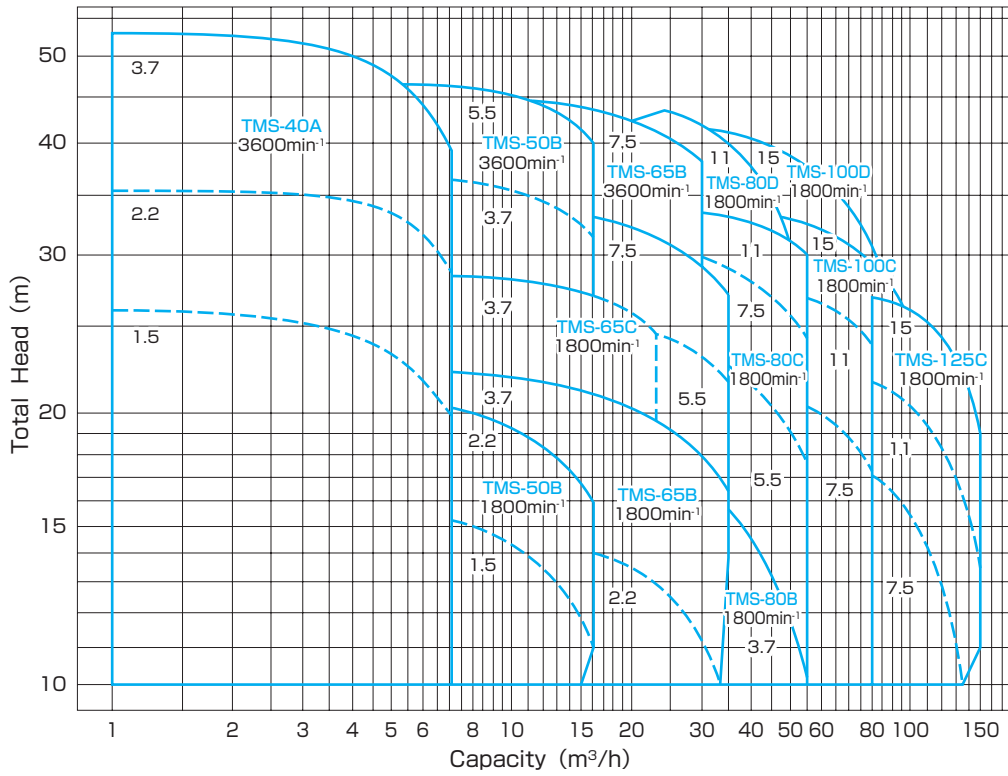
- Horizontal Single-stage Single-suction
- Self-priming Closed Coupling Type

Structure & Material

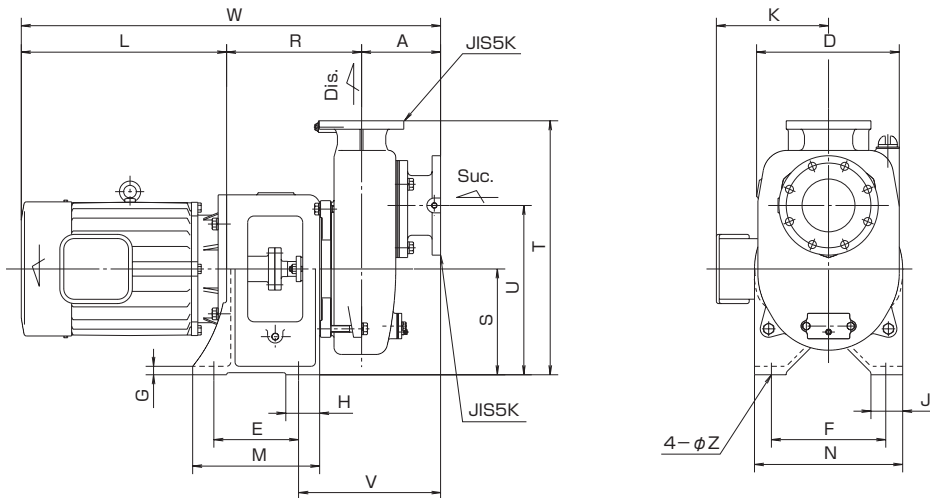


Part No.	Name	Req. No.	Sea Water		Fresh Water		Part No.	Name	Req. No.	Sea Water		Fresh Water	
			Material	JIS	Material	JIS				Material	JIS		
001	CASING	1	BRONZE	CAC402	CAST IRON	FC200	124	IMPELLER WASHER	1	STAINLESS STEEL	SUS304	STAINLESS STEEL	SUS304
002	CASING COVER	1	BRONZE	CAC402	CAST IRON	FC200	136	SPRING WASHER	1	STAINLESS STEEL	SUS304	STAINLESS STEEL	SUS304
003	IMPELLER	1	PHOSPHOR BRONZE	CAC502A	PHOSPHOR BRONZE	CAC502A	301	COUPLING	1	MILD STEEL	SS400	MILD STEEL	SS400
016	SUCTION COVER	1	BRONZE	CAC402	CAST IRON	FC200	305	COUPLING BOLT	4	Cr-Mo STEEL	SCM435	Cr-Mo STEEL	SCM435
017	DRAIN COVER	1	BRONZE	CAC402	CAST IRON	FC200	404	PUMP FRAME	1	CAST IRON	FC200	CAST IRON	FC200
020	CASING RING	1	BRONZE	CAC402	BRONZE	CAC402	410	PRIMING CAP	1	BRONZE	CAC402	BRONZE	CAC402
021	CASING RING	1	BRONZE	CAC402	BRONZE	CAC402	411	O-RING	1	RUBBER	NBR	RUBBER	NBR
035	CHECK VALVE	1	RUBBER / BRONZE	— / CAC402	RUBBER / BRONZE	— / CAC402	501	GLAND PACKING	4	CARBONIZED FIBER	—	CARBONIZED FIBER	—
050	O-RING	1	RUBBER	NBR	RUBBER	NBR	503	LANTERN RING	1	BRONZE	CAC402	BRONZE	CAC402
101	SHAFT	1	STAINLESS STEEL	SUS304	STAINLESS STEEL	SUS304	504	GLAND	1	BRONZE	CAC402	BRONZE	CAC402
103	IMPELLER KEY	1	STAINLESS STEEL	SUS304	STAINLESS STEEL	SUS304	901	GASKET	1	RUBBER	NBR	RUBBER	NBR
120	IMPELLER NUT	1	STAINLESS STEEL	SUS304	STAINLESS STEEL	SUS304							

Performance



Dimension



Model No.	Motor		Bore		Dimension (mm)																		
	kW	min ⁻¹	Suc.	Dis.	A	D	E	F	G	H	J	K	L	M	N	R	S	T	U	V	W	Z	
TMS-40A	1.5	3600	40	40	125	200	140	190	15	50	65	195	300	200	250	196	160	360	260	225	621	12	
	2.2											205	330										651
	3.7											212	368										699
TMS-50B	1.5	1800	50	50	150	270	150	220	15	80	65	195	300	280	280	250	190	455	315	280	690	15	
	2.2						180		18			205	330										730
	3.7	180					18		212			368	768										
	5.5	200					270		265			375	795										
TMS-65B	2.2	1800	65	65	150	275	180	270	18	80	65	205	330	300	330	270	210	475	335	290	740	15	
	3.7						180		18			215	355										765
	7.5	200					270		265			400	830										
	3.7	180					18		215			355	765										
TMS-65C	5.5	1800	65	65	150	325	200	270	18	80	65	265	400	300	330	280	210	500	350	290	830	15	
	7.5						200		270			265	400										830
	3.7						180		18			215	355										765
TMS-80B	3.7	1800	80	80	165	305	180	220	18	80	65	215	355	280	280	270	190	480	315	315	790	15	
	5.5																						215
TMS-80C	7.5	1800	80	80	165	340	200	270	18	80	75	265	400	300	350	290	250	600	400	315	855	19	
	11								20			285	485										970
	3.7								20			285	485										985
TMS-80D	11	1800	80	80	165	480	200	270	20	80	75	285	485	300	350	335	250	625	425	330	985	19	
	7.5								20			285	400										875
	3.7								18			265	400										915
TMS-100C	11	1800	100	100	185	340	200	270	20	80	75	265	400	300	350	290	250	600	400	335	990	19	
	15								20			285	485										1030
	7.5								18			265	400										915
TMS-100D	15	1800	100	100	165	480	200	270	20	80	75	285	525	300	350	335	250	625	425	330	1025	19	
	7.5								18			265	400										915
	11								20			285	485										1030
TMS-125C	11	1800	125	125	210	365	200	270	20	80	75	285	485	300	350	335	250	625	425	380	1030	19	
	15								20			285	525										1070
	7.5								18			265	400										915