

PRESSURE TANK UNIT

VPT



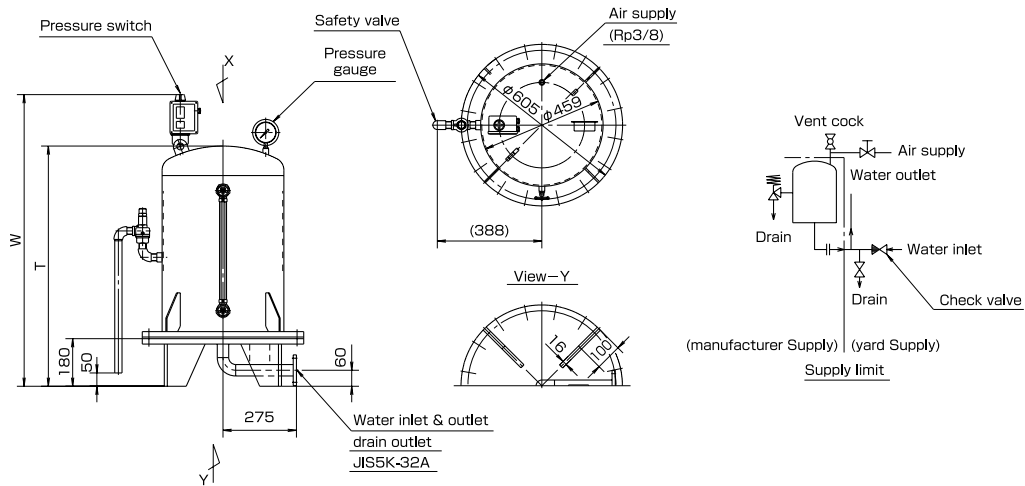
Application

Fresh Water
Sanitary Water
Drinking Water

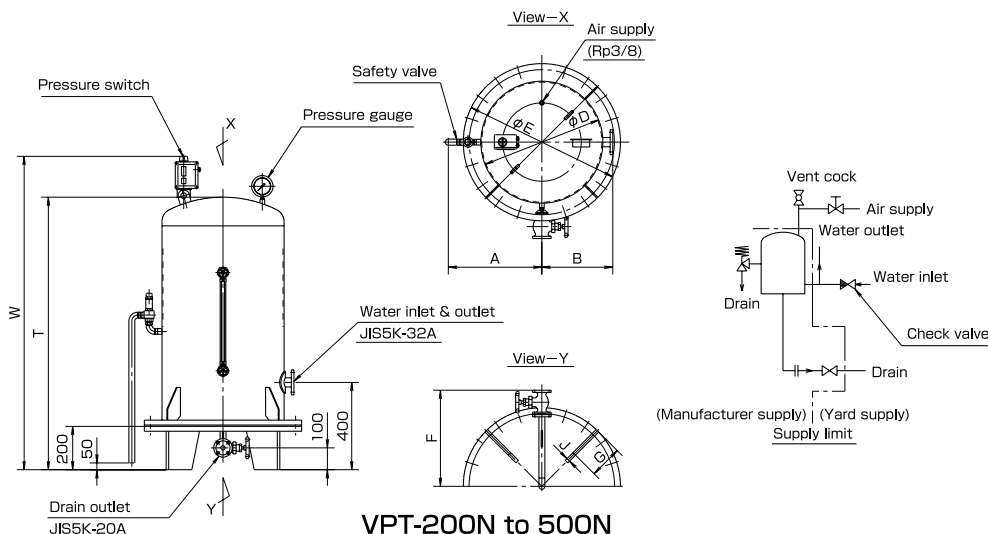
Feature

F.W. & Sanitary

Dimension



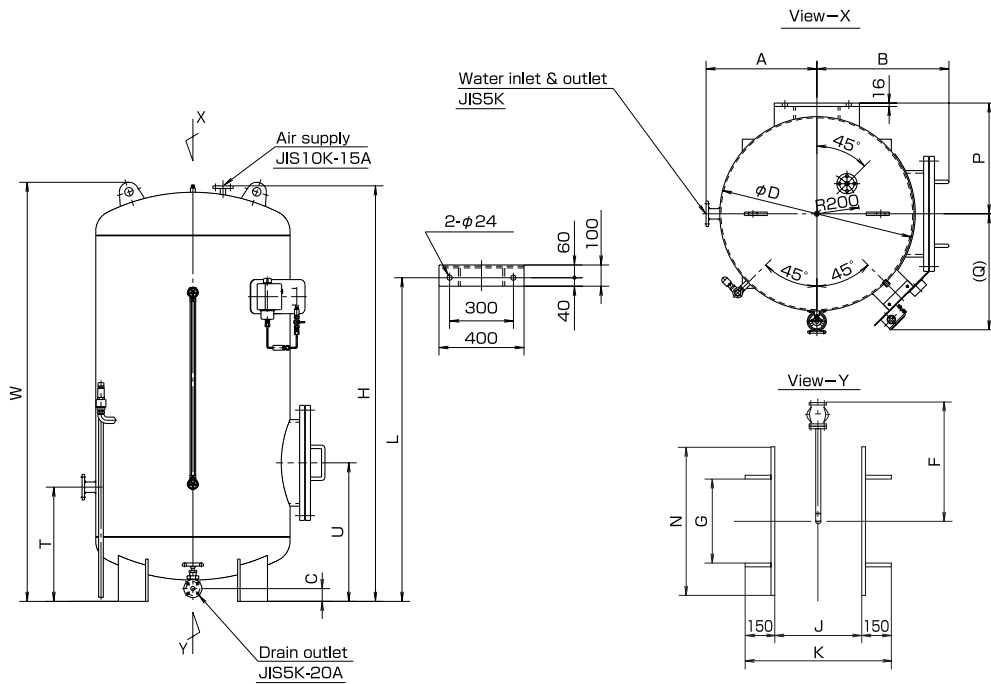
VPT-100N, 150N



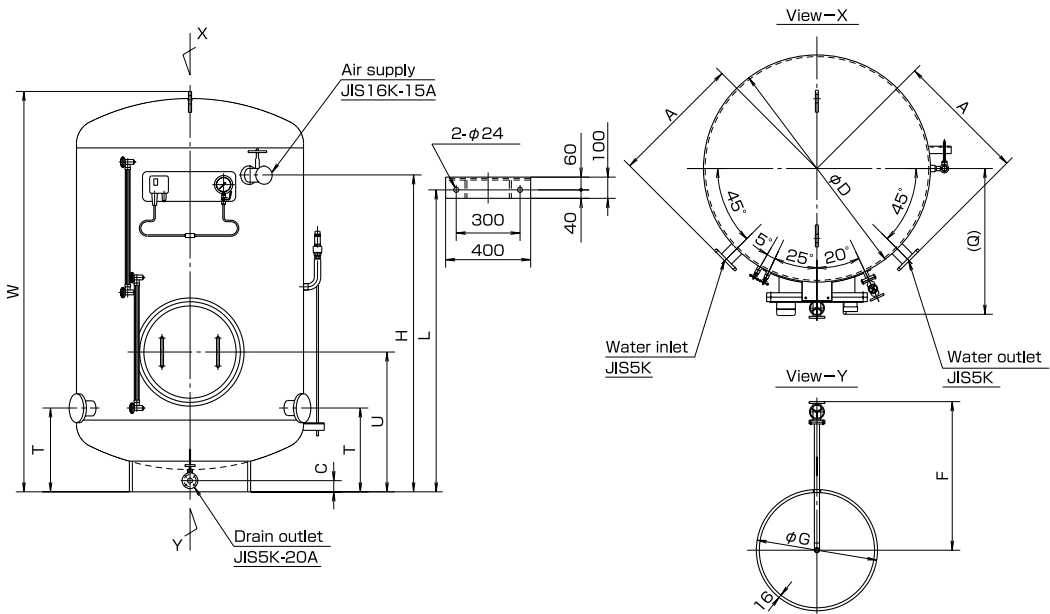
VPT-200N to 500N

Model No.	Tank Volume (L)	Dimension (mm)								
		A	B	D	E	F	G	J	T	W
VPT-100N	100	-	-	-	-	-	-	-	900	1093
VPT-150N	150	-	-	-	-	-	-	-	1207	1400
VPT-200N	200	440	325	559	720	440	150	16	1248	1435
VPT-300N	300	465	350	609	770	460	150	16	1555	1738
VPT-400N	400	515	400	709	875	520	200	19	1560	1753
VPT-500N	500	515	400	709	875	520	200	19	1760	1953

Dimension



VPT-1000T,1500T



VPT-2000T,3000T

Model No.	Bore		Tank Volume (L)	Dimension (mm)															
	In	Out		A	B	C	D	F	G	H	J	K	L	N	P	Q	T	U	W
VPT-1000T	40		1000	520	630	60	912	560	400	1950	400	700	1519	700	520	710	536	650	1980
VPT-1500T	50		1500	650	720	100	1112	660	350	2030	500	800	1550	700	620	750	550	800	2060
VPT-2000T	65	65	2000	700	-	60	1218	800	650	1700	-	-	1600	-	-	782	450	750	2170
VPT-3000T	80	80	3000	850	-	60	1518	910	876	1800	-	-	1600	-	-	880	550	800	2306